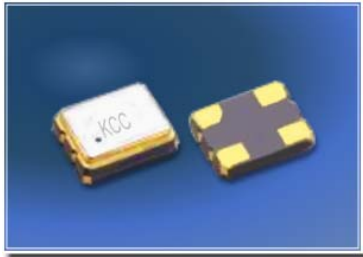


Crystal Oscillator

FAIRPLY ENTERPRISES INC.

K.C.C Crystal Oscillator (SO-32 Series)



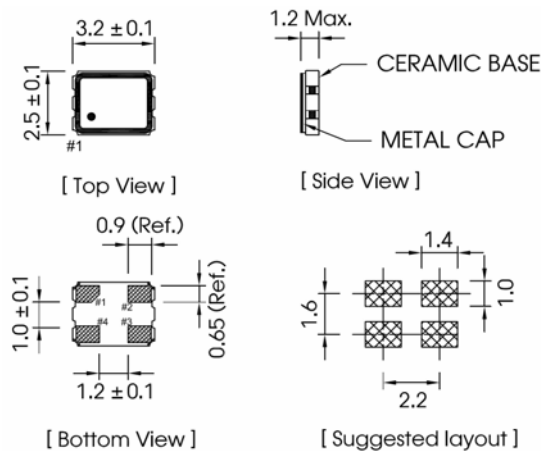
Features & Applications

- 3.2x2.5x1.2mm Size
- Ceramic Package
- CMOS Output
- Low Power Consumption
- RoHS Compliant.

General Specifications

Parameter	SO-32 Series			
	SO-321	SO-322	SO-323	
Input Voltage	1.8V ± 5%	2.5V ± 5%	3.3V ± 10%	
Frequency Range	1 ~50.0 MHz			
Frequency Stability	A:±25, B: ±50, C: ±30, D: ±20 ppm			
Operating Temperature Range	-10 to +70°C ; -40 to +85°C			
Storage Temperature Range	-55 to +125°C			
Input Current (mA Max.)	1~9.99MHz	5	6	7
	10~19.99MHz	6	8	7
	20~31.99MHz	6	8	12
	32~50.00MHz	15	20	20
Output Logic High " 1 "	90% VDD			
Output Logic Low " 0 "	10% VDD			
Output Symmetry	40% to 60% (at 50%VDD)			
Rise and Fall Time (ns Max.)	1~9.99MHz	7	5	5
	10~19.99MHz	7	5	5
	20~31.99MHz	6	5	5
	32~50.00MHz	6	5	5
Output Load	15pF typical			
Start-Up Time	10ms (Max)			
Aging Rate	±5ppm / Year Max.			

Outline and Dimensions [Unit: mm]



Pin	Connection
#1	E/D
#2	Ground
#3	Output
#4	+VDD

Enable/Disable Function

E/D (#1)	Output (#3)
HIGH (Open)	Operating
LOW	High impedance

Order Part No.:

Product name: **Q 25.000M 32 3 B - G T Z**

① ② ③④⑤ ⑥⑦⑧

- ① KCC Oscillator
- ② Frequency
- ③ Size Type : SO-32=3.2x2.5x1.2mm
- ④ Input Voltage : 3=3.3V
- ⑤ Frequency Stability : B=±50ppm
- ⑥ RoHS Compliant
- ⑦ Operating temperature : T= -40°C to +85°C
- ⑧ Internal identification code

FAIRPLY
ENTERPRISES INC.

飛谷企業有限公司 FAIRPLY ENTERPRISES INC.

地址 : 10058 台北市中正區八德路一段 5 號 5 樓之一 B 室

ADD : Rm. B, 5F.-1, No.5, Sec. 1, Bade Rd., Zhongzheng Dist., Taipei City 100, Taiwan (R.O.C.)

TEL: (02)-2321-5496

FAX: (02)-2321-7675

E-MAIL : juan66@ms27.hinet.net

fei@ms2.hinet.net

<http://www.fairply.com/>