

## K.C.C Crystal Unit(HC Series)



### Features & Applications

- Universal purposes
- Hermetical sealed
- Excellent Frequency
- Aging Stability
- Low cost
- RoHS Compliant / Pb Free.

### General Specifications

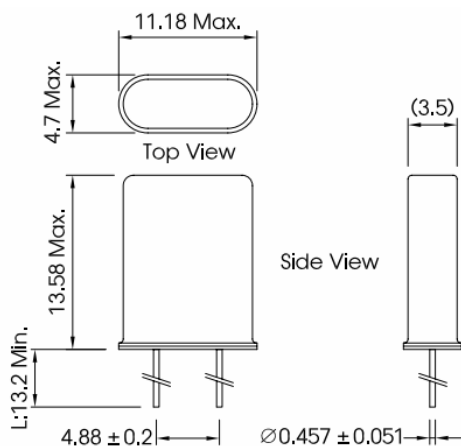
Parameter	HC-49/U
Frequency Range	1.8 ~200 MHz
Frequency Tolerance	±30ppm @25°C
Frequency stability vs Operating temperature range	±50ppm refer to 25°C
Operating Temperature Range	-10 to +60°C or specify (-20 ~ +70 / -40 ~ +80°C)
Storage Temperature Range	-20 to +70°C
Load Capacitance	Series or Parallel ( 8 to 33 pF ) resonance
Drive Level	100 μW Max. (>5MHz) 200 μW Max. (≤5MHz)
Aging (at 25 °C)	± 5 ppm per year (Max.)

### Equivalent Series Resistance (ESR)

Frequency Range	Vibration Mode	ESR (Ω Max.)	Frequency Range	Vibration Mode	ESR (Ω Max.)
1.0~1.8MHz	F	3000	7.0~7.99MHz	F	60
1.8~2.0MHz	F	500	8.0~9.99MHz	F	40
2.01~2.39MHz	F	450	10~13.99MHz	F	35
2.4~2.99MHz	F	300	14~23.99MHz	F	25
3.0~3.50MHz	F	150	24~30.00MHz	F / 3rd	25 / 50
3.5~3.99MHz	F	90	30~75.00MHz	3rd	50
4.0~4.99MHz	F	80	75~125.0MHz	5th	80
5.0~5.99MHz	F	70	125~150.0MHz	5th	100
6.0~6.99MHz	F	60	150~200.0MHz	5th	120

※F: Fundamental/AT

### Outline and Dimensions [Unit: mm]



### Order Part No.:

Product name: **X 25.000 U 20 - G**

① ② ③ ④ ⑤

- ① KCC Crystal
- ② Frequency
- ③ 49/U Type
- ④ Load capacitance(pF)
- ⑤ RoHs Compliant