

K.C.C Crystal Unit(HC-SMD Series)



Features & Applications

- Universal purposes
- Hermetical sealed
- Excellent Frequency
- Aging Stability
- Low cost
- RoHS Compliant / Pb Free.

General Specifications

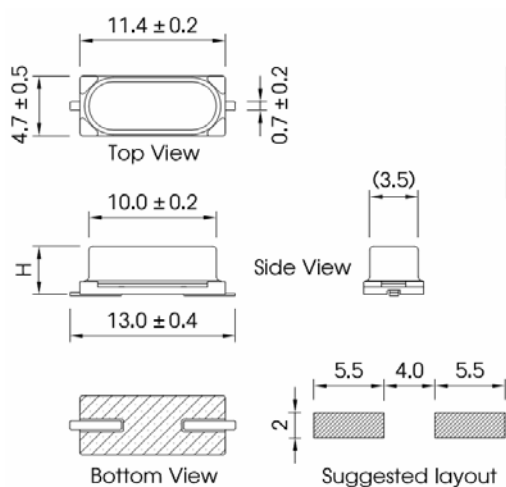
Parameter	HC-49SMD (A · B · C Type)
Frequency Range	3.5~70 MHz
Frequency Tolerance	±30ppm @25°C
Frequency stability vs Operating temperature range	±50ppm refer to 25°C
Operating Temperature Range	-10 to +60°C or specify (-20 ~ +70 / -40 ~ +80°C)
Storage Temperature Range	-20 to +70°C
Load Capacitance	Series or Parallel (8 to 33 pF) resonance
Drive Level	100 μW Max. (>5MHz) 200 μW Max. (≤5MHz)
Aging (at 25 °C)	± 5 ppm per year (Max.)

Equivalent Series Resistance (ESR)

Frequency Range	Vibration Mode	ESR (Ω Max.)	Frequency Range	Vibration Mode	ESR (Ω Max.)
3.5~3.99MHz	F	150	10~13.99MHz	F	50
4.0~4.99MHz	F	120	14~23.99MHz	F	40
5.0~5.99MHz	F	100	24~30.00MHz	F / 3rd	40 / 80
6.0~7.99MHz	F	80	30~70.00MHz	3rd	80
8.0~9.99MHz	F	70			

※F: Fundamental/AT

Outline and Dimensions [Unit: mm]



TYPE	H
A (SMA)	4.00 ± 0.2
B (SMB)	3.20 ± 0.2
C (SMC)	2.80 ± 0.2

Order Part No.:

Product name: **X 25.000 SMA 20 - G T**

① ② ③ ④ ⑤ ⑥

- ① KCC Crystal
- ② Frequency
- ③ SMD Type (High) : SMA / SMB / SMC
- ④ Load capacitance(pF)
- ⑤ RoHS Compliant
- ⑥ Operating temperature : T= -40°C to +85°C